

Product	RM270	Date	2011-03-09	Page	1 (1)
Code	TBD200	No	0171		
Priority	Normal	Author	Per Wallinder		

## Main relief valve TBD200 replaces TBD203

As from middle of 2011 current model TBD200 will replace cartridge TBD203 which will be obsolete.

The main advantages of the TBD200 are improved operating characteristics.

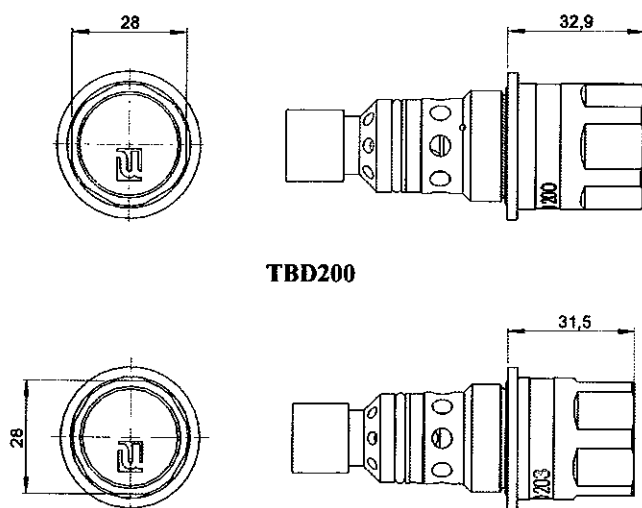
### IDENTIFICATION

Code name "TBD200" marked on the cartridge housing.

### INTERCHANGEABILITY

TBD200 is fully interchangeable with TBD203. See pictures below.

Note: TBD200 is generally used in application with work pressure up to 300 bar.



**TBD200**

**TBD203 (obsolete and will be replaced by TBD 200)**

### EFFECT ON RELATED COMPONENTS

No effect on related components.

### ACTIONS

As from middle of 2011 all TBD203 included in valves will be changed to TBD200. All existing valve specifications will be updated.

Product	RM 270 and RSM 290	Date	2011-03-09	Page	1 (2)
Code	TBD205, TBSD205	No	0172		
Priority	Normal	Author	Per Wallinder		

## Upgraded port relief valves

As from middle of 2011 new cartridges code TBD205 and TBSD205 will be introduced.

TBD205 replacing current model TBD204 which will be obsolete.

TBSD205 replacing current model TBSD204 which will be obsolete.

The main advantages of the TBD205 and TBSD205 are improved operating characteristics.

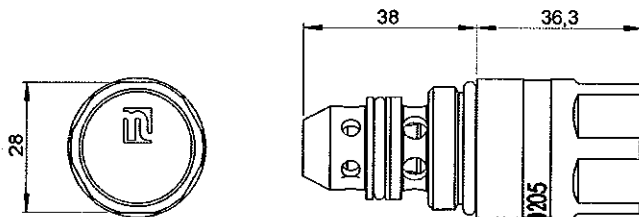
### IDENTIFICATION

-Code name "TBD205" and "TBSD205" marked on the outside of the cartridge housing.

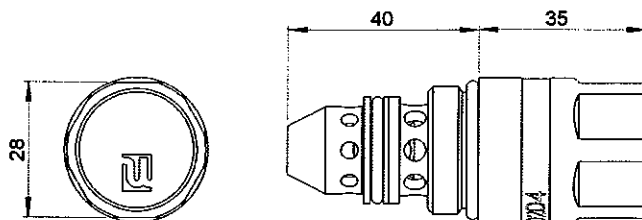
### INTERCHANGE ABILITY

TBD205 is fully interchangeable with TBD204. See pictures below

TBSD205 is fully interchangeable with TBSD204. See pictures below.

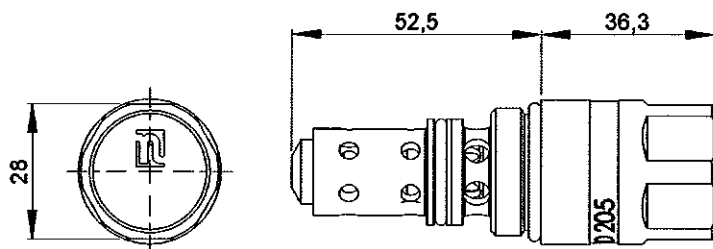


**TBD205 (New port relief valve)**

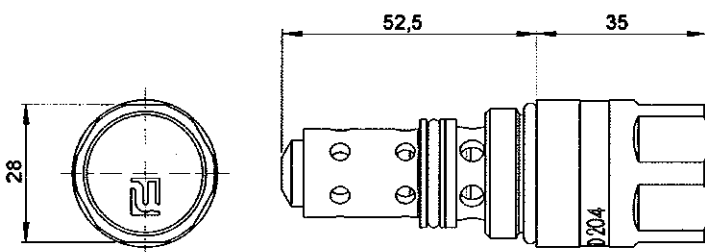


**TBD204 (obsolete and will be replaced by TBD205)**

Product	RM 270 and RSM 290	Date	2011-03-09	Page	2 (2)
Code	TBD205, TBSD205	No	0172		
Priority	Normal	Author	Per Wallinder		



**TBSD205 (New port relief valve)**



**TBSD204 (obsolete and will be replaced by TBSD205)**

### EFFECT ON RELATED COMPONENTS

No effect on related components.

### ACTIONS

As from middle of 2011 all TBD204 and TBSD204 included in valves will be changed to TBD205 and TBSD205.

All existing valve specifications will be updated.